

User manual

Speedometer

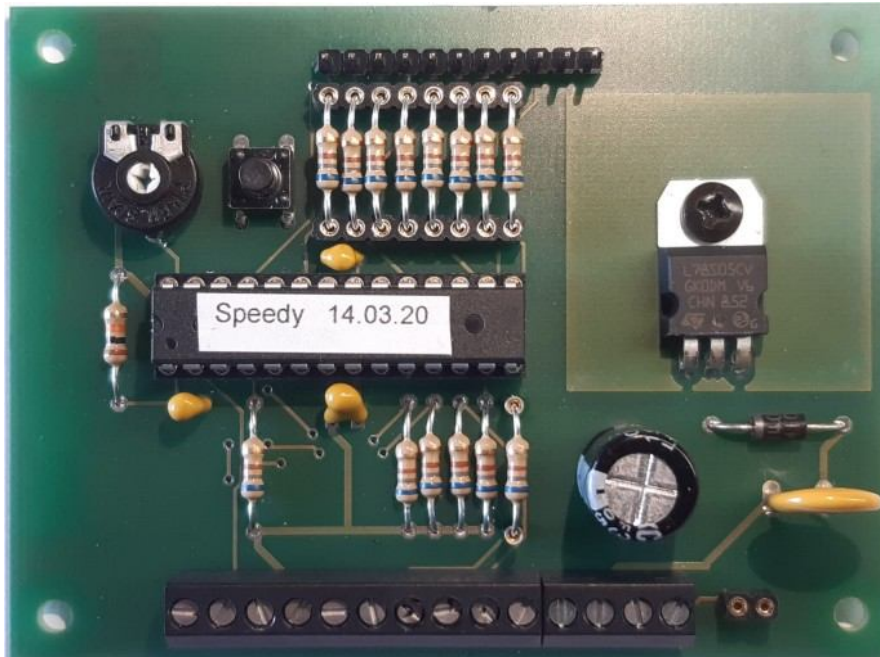


DC
Car

Digital Controlled
Digitale Steuerung
für Car-Systeme

Congratulations on purchasing this product.

This manual is for the Speedometer of DC-Car.
With this product you can determine the scale speed of your vehicles.



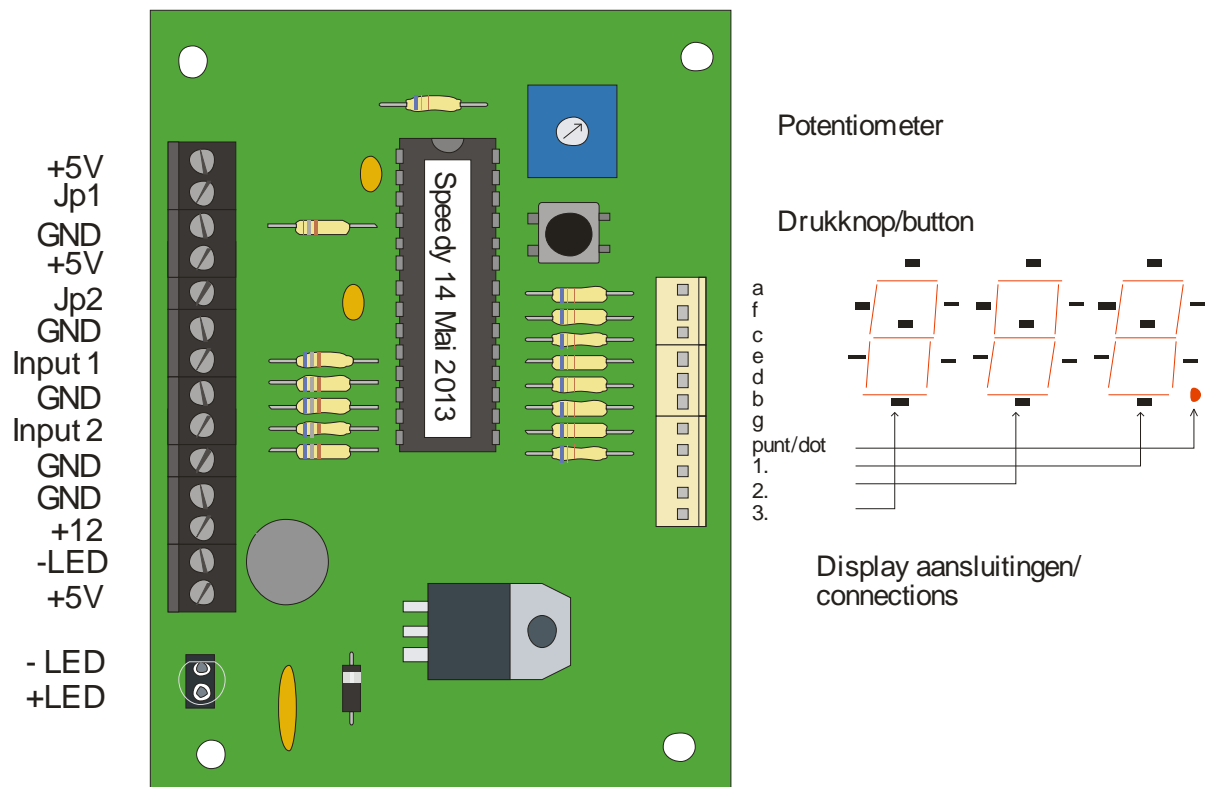
The speedometer can also be used for other purposes.
Mobile speed camera: Fast vehicles are flashed with the "mobile speed camera". The circuit can also be used without an optional display.
Speed display: as you can find it at some schools and crosswalks.
Police check: Riders are sidelined by the police officer.
By using optional servo steering you can even create a piece of animation where a rider is stopped by a moving officer.
This can also be achieved with a PC control, e.g. by feedback to iTrain, Windigipet or other software.
Traffic control: Fast vehicles drive a different route than slow ones. For this, the splitting is done again with a servo control.

Technic:

The voltage may be 12-18 volts equal or alternating voltage.
Internally, the circuit operates with 5 volts. This voltage is also available on + 5V and GND terminals of the connector and can be used for other components such as Hall sensors. (up to 1 A)
The flash is activated via min.
As a test LED, a white LED is placed on the PCB (sits on a foot and can be removed).

Operation:

The time required for a distance of 15 cm (H0) is measured by 2 sensors, light barriers, reed switches, Hall sensors or photo transistors. The sensors must switch to minus. The scale you use is set by wire bridges (see table) and can be for H0, TT or N. This is the display on an optional display in km / h.



Jumper setting for scale

Scale	JP1	JP2
HO	+5	+5
TT	+5	GND
N	GND	+5

Set up:

After pressing a button, a speed is shown on the optional display. That is the speed at which the flash fires. The value can be set with the potentiometer.

Connection examples:

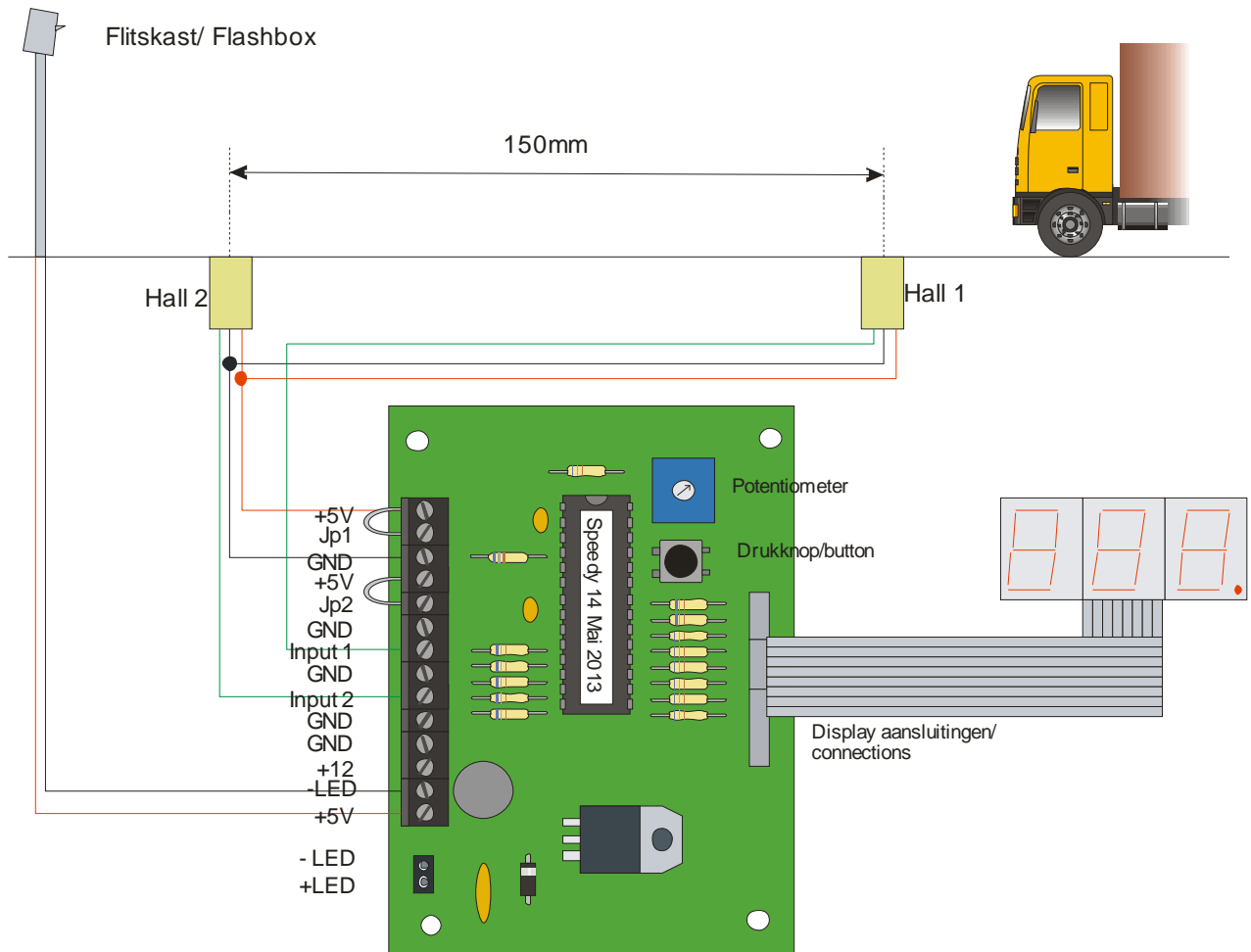
Flash box with display

We use a flash box and a display to show the speed of the vehicle. You can see from the jumper connections that it concerns HO scale, JP1 and JP2 are both connected to the + 5V.

When passing Hall 1, the dot will light up on the display, when Hall 2 has passed the speed will be shown.

By pressing the push button and adjusting the potentiometer, the speed at which the flash fires is set.

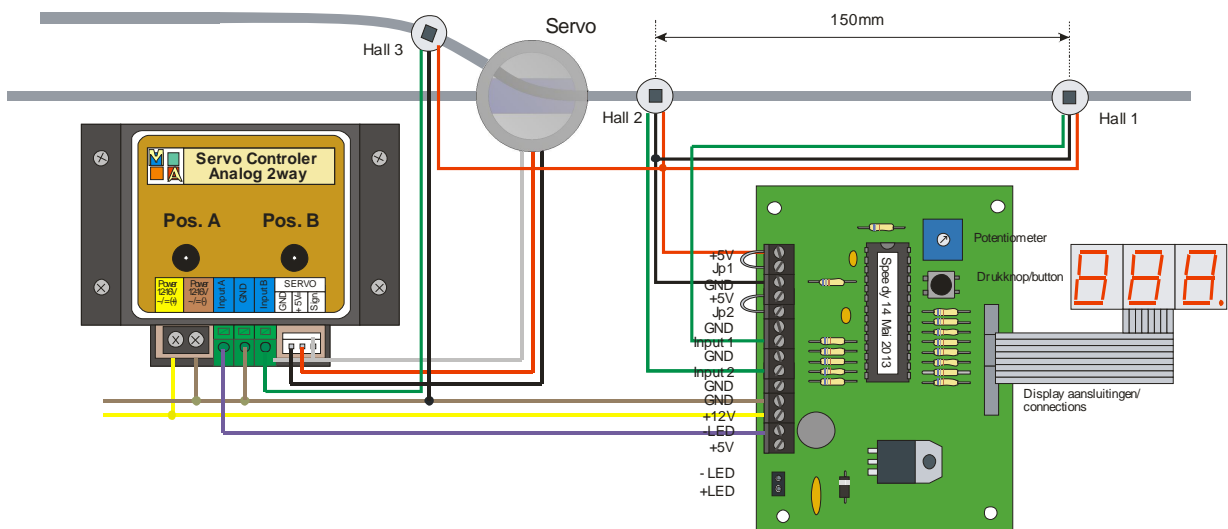
Note: If the flash box does not work, remove the LED on the PCB, it is parallel to the flash box connection and may block power to the flash box.



Fast vehicle filtering

The speed is measured and vehicles that are driving too fast are removed from traffic. If a vehicle is driving too fast, the -LED output will become low, which will deflect the servo controller, which will take the vehicle out of traffic.

Hall 3 ensures that the servo is put straight on again using the servo controller.



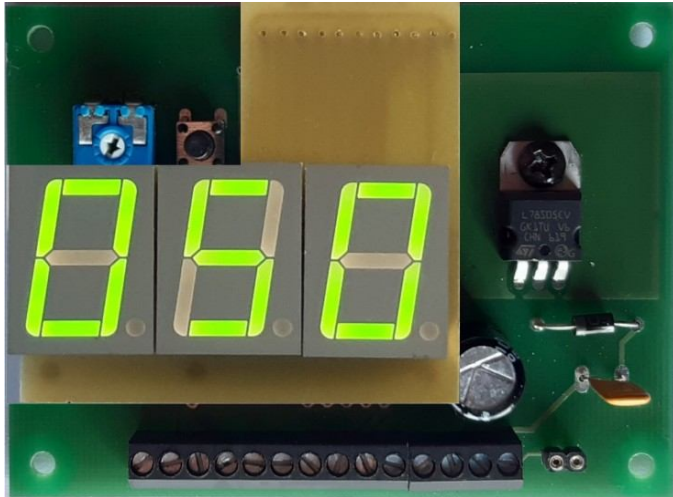
Options

Various displays are available as an option:

1.3-digit green LED display digit height 20.3mm

2.2-digit green LED display digit height 20.3mm

These options are intended as a plug-in print that goes on the display connector as shown in the image below.



Of course, the connector can also be extended with a cable so that the display can be built elsewhere.

We hope you enjoy using these products.

More information and updates:

<http://www.dc-car.nl>



Intermediair voor modelbouw artikelen

Hoorneweg 7, 3881 NK Putten

Tel: (031) (0)630172543

info@miniatuura.nl

www.miniatuura.nl

Or on

<http://www.wiki.dc-car.de/>

where you will also find an English version