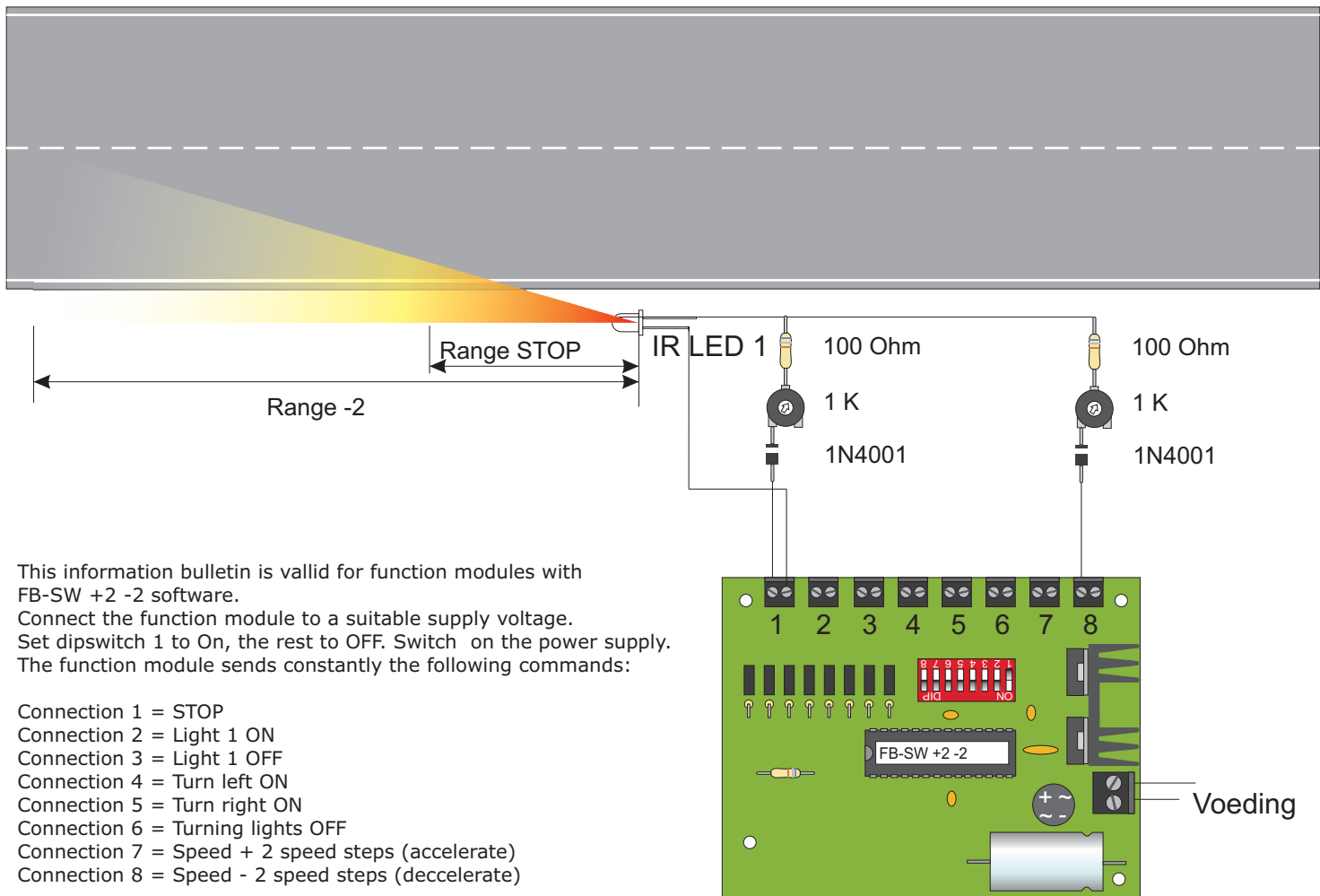


Information Bulletin MiniatuurA

Slow brake and stop with IR command's (FB-SW +2 -2)



In this diagram IR LED1 is connected with connection 1 and 8 and will send a STOP and -2 speed step.
By adjusting the resistors the vehicle will first receive a -2 commands and when has almost reached the LED it will be halted by the STOP command.

Here for you have to adjust some CV:

- CV19=64 Slowly decelerating and accelerating
- CV20=128 Automac accelerating after a -2 command
- CV98= Speed of decelerating
- CV99= Minimum speed after -2 commands (The vehicle must slowly proceed so it reaches the range of the STOP command).